

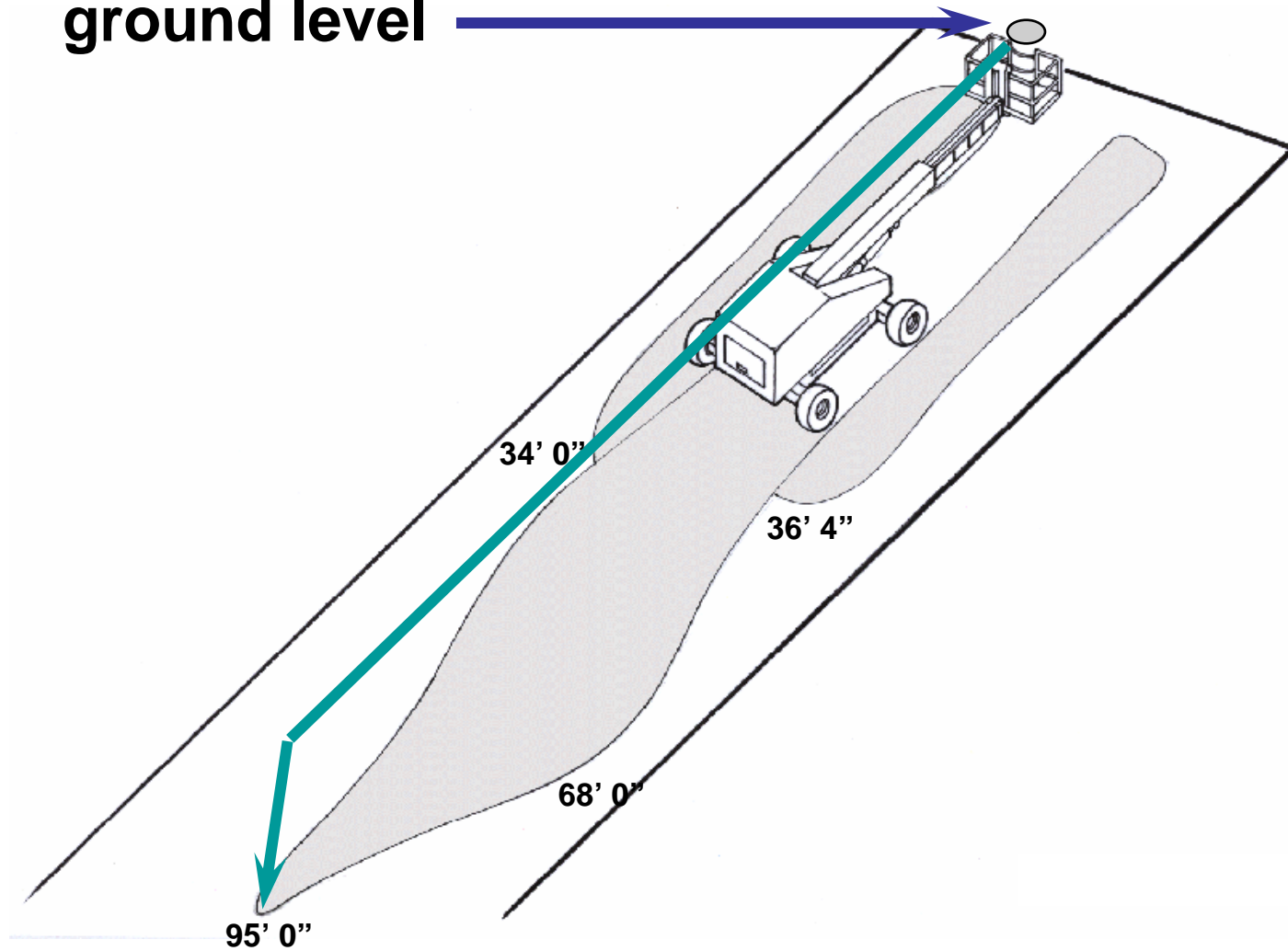
# Learn To Know...

## The NO-ZONE



**THE SHADED AREA SURROUNDING EACH VEHICLE REPRESENTS THE DANGER ZONE or "NO-ZONE" IN WHICH THE VEHICLE OPERATOR'S VIEW OF PEDESTRIAN TRAFFIC IS GREATLY REDUCED OR OBSCURED ALTOGETHER.**

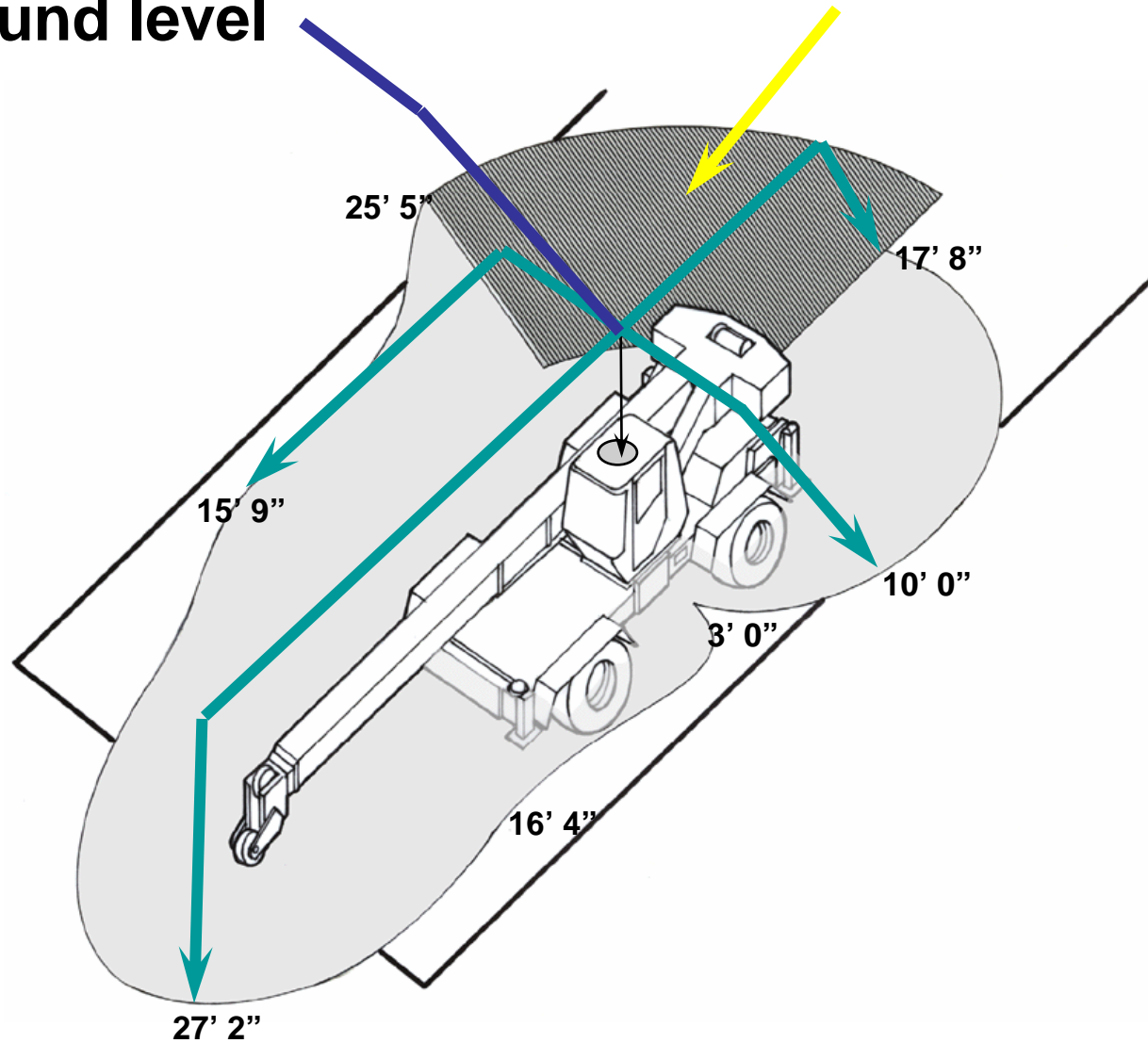
Eye level 10 ft - 0 in above ground level



**Manlift**

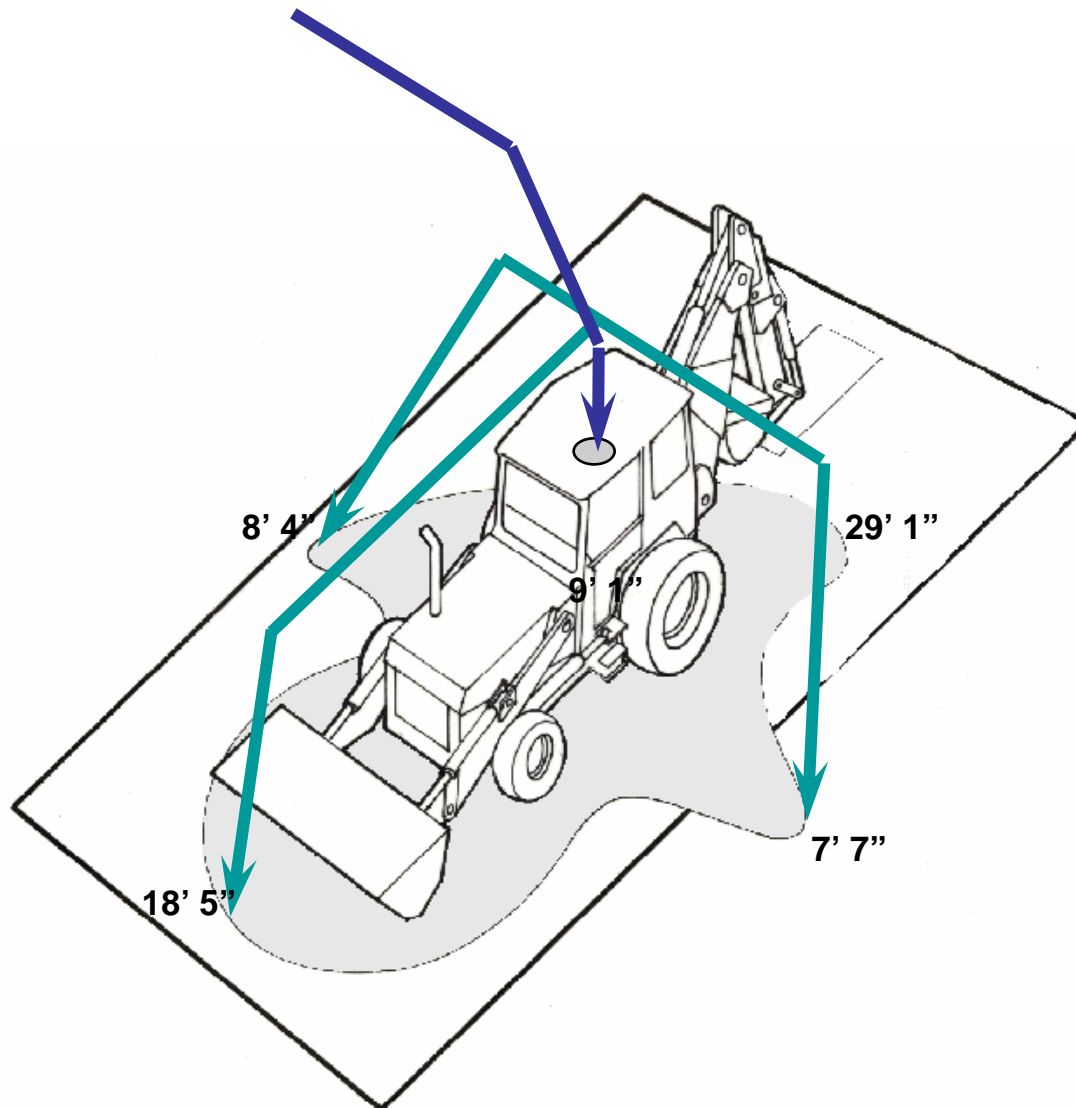
**Eye level 7 ft - 0 in above  
ground level**

**Area of fully  
obstructed view**



**Hydraulic Crane**

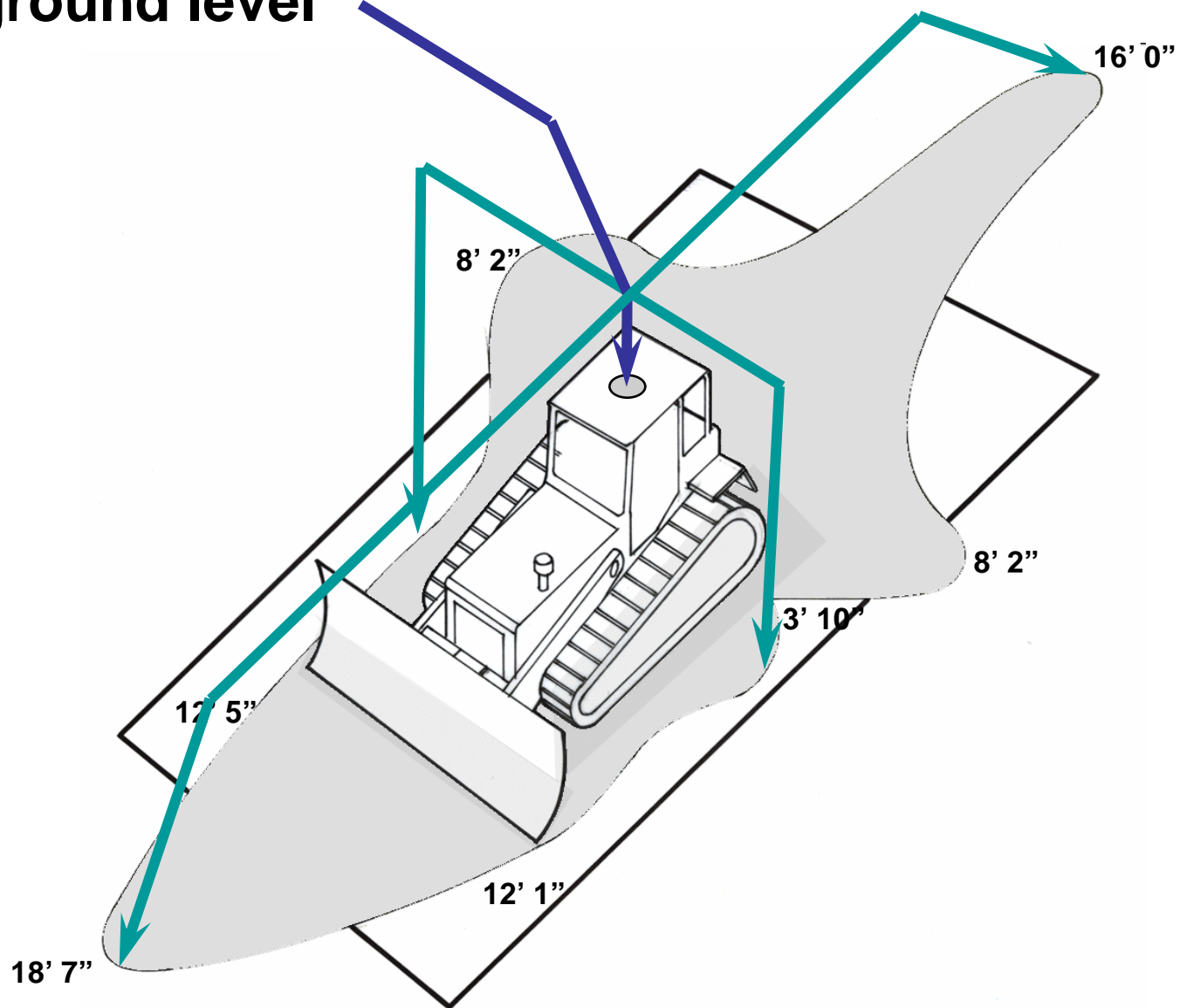
**Eye level 7 ft - 7 in above  
ground level**



S-25 BACKHOE

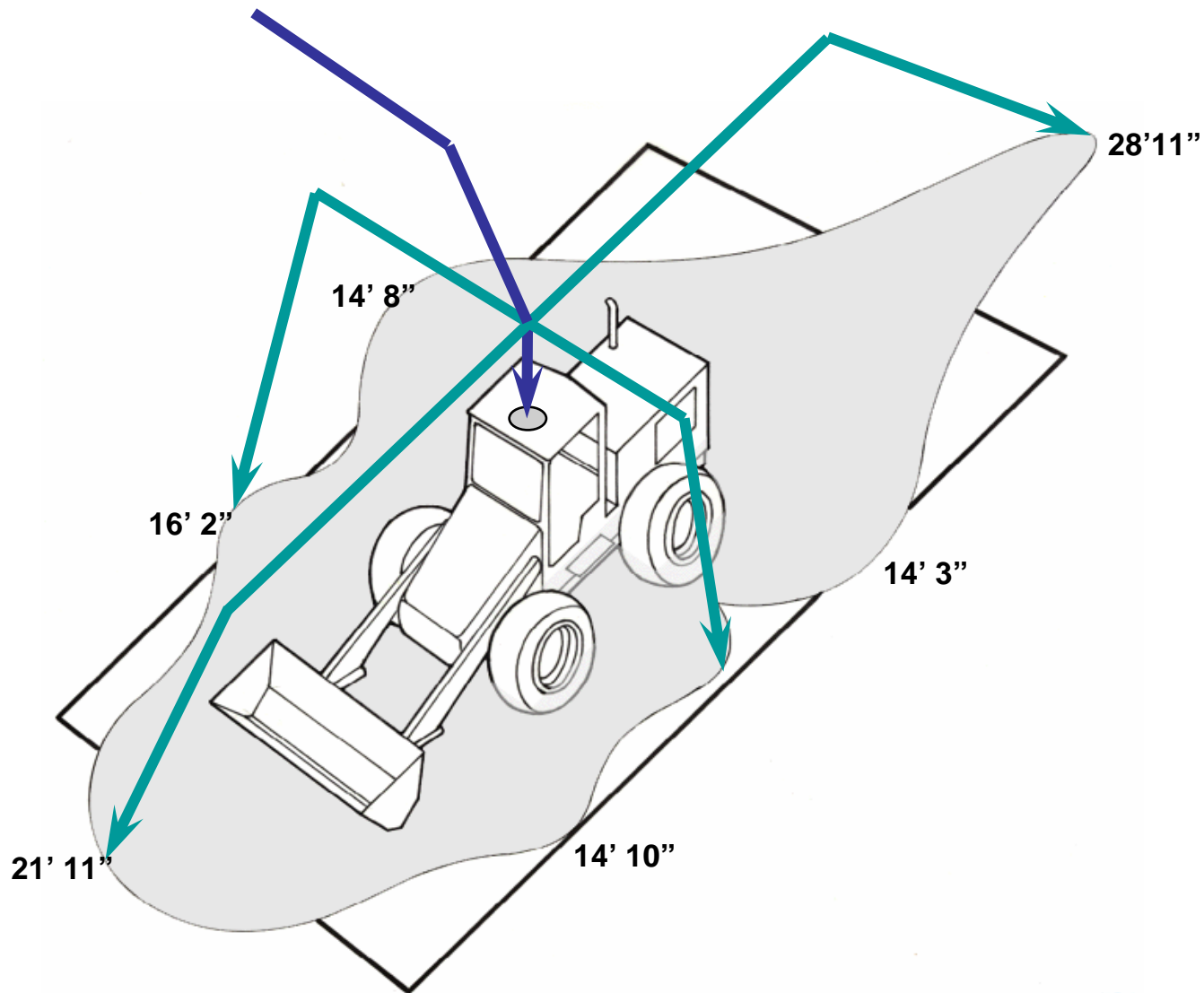
**Backhoe**

**Eye level 6 ft - 3 in above  
ground level**



**Bulldozer**

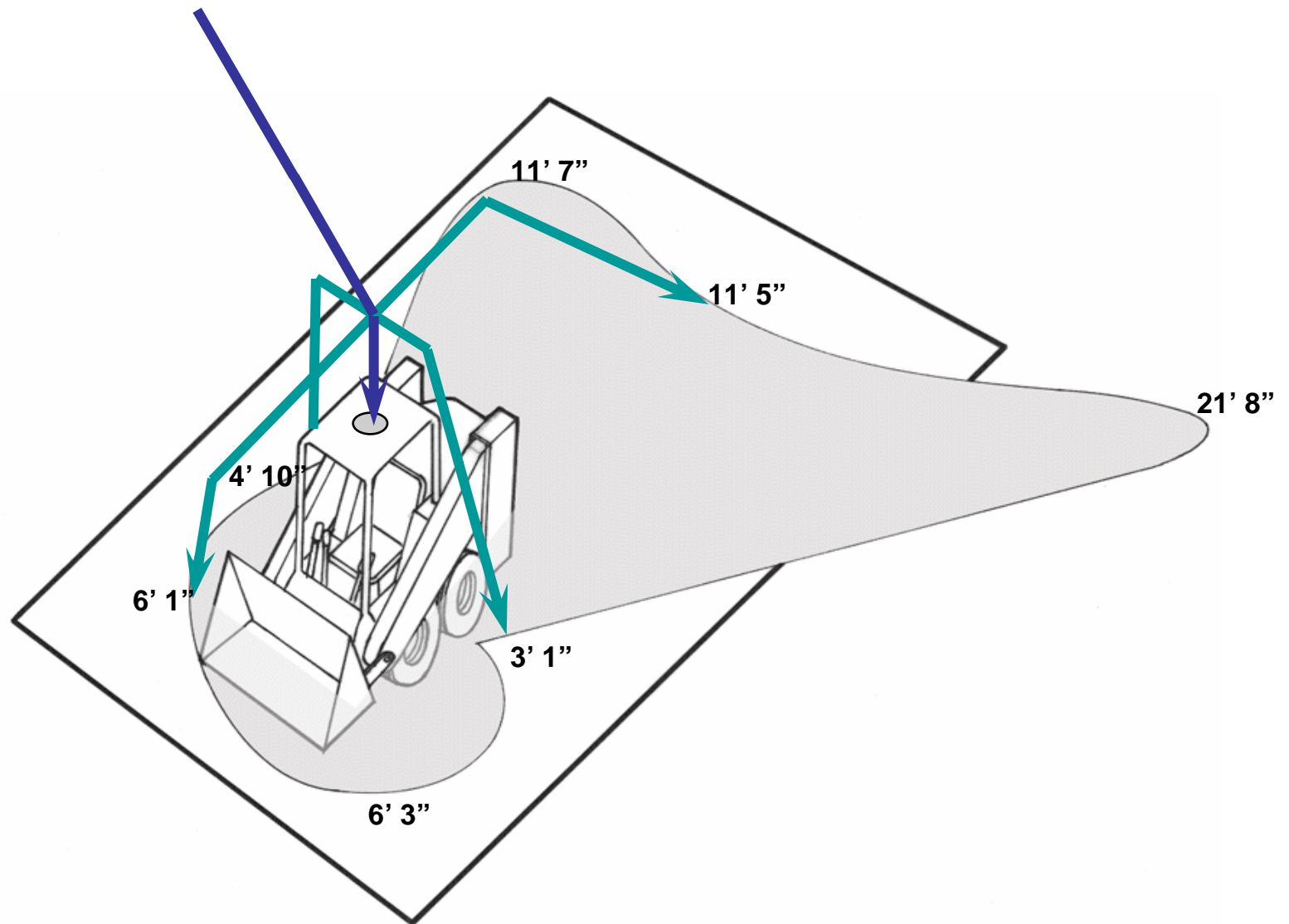
**Eye level 10 ft - 0 in above  
ground level**



S-28 FCNT

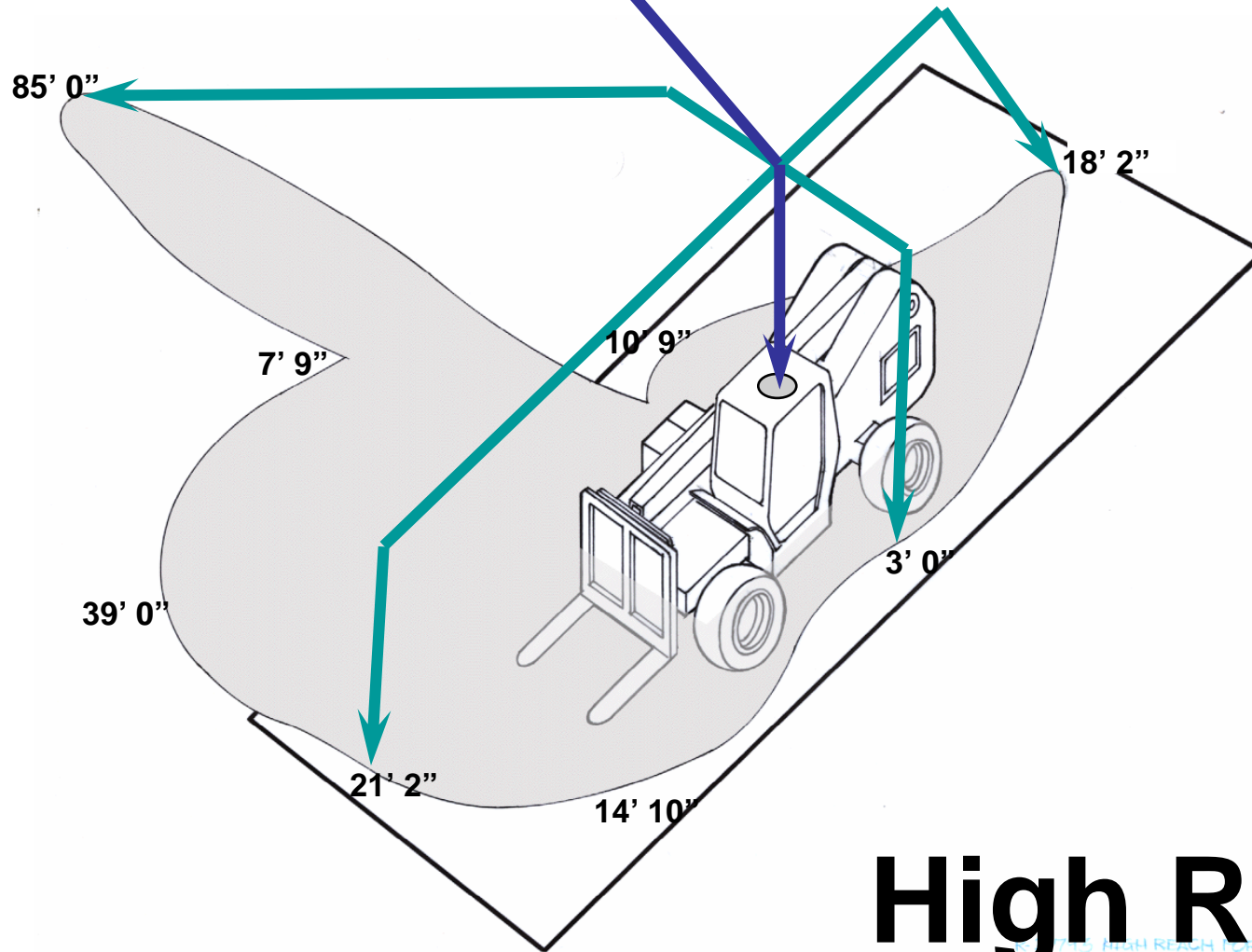
**Front End Loader**

**Eye level 5 ft - 5 in above  
ground level**



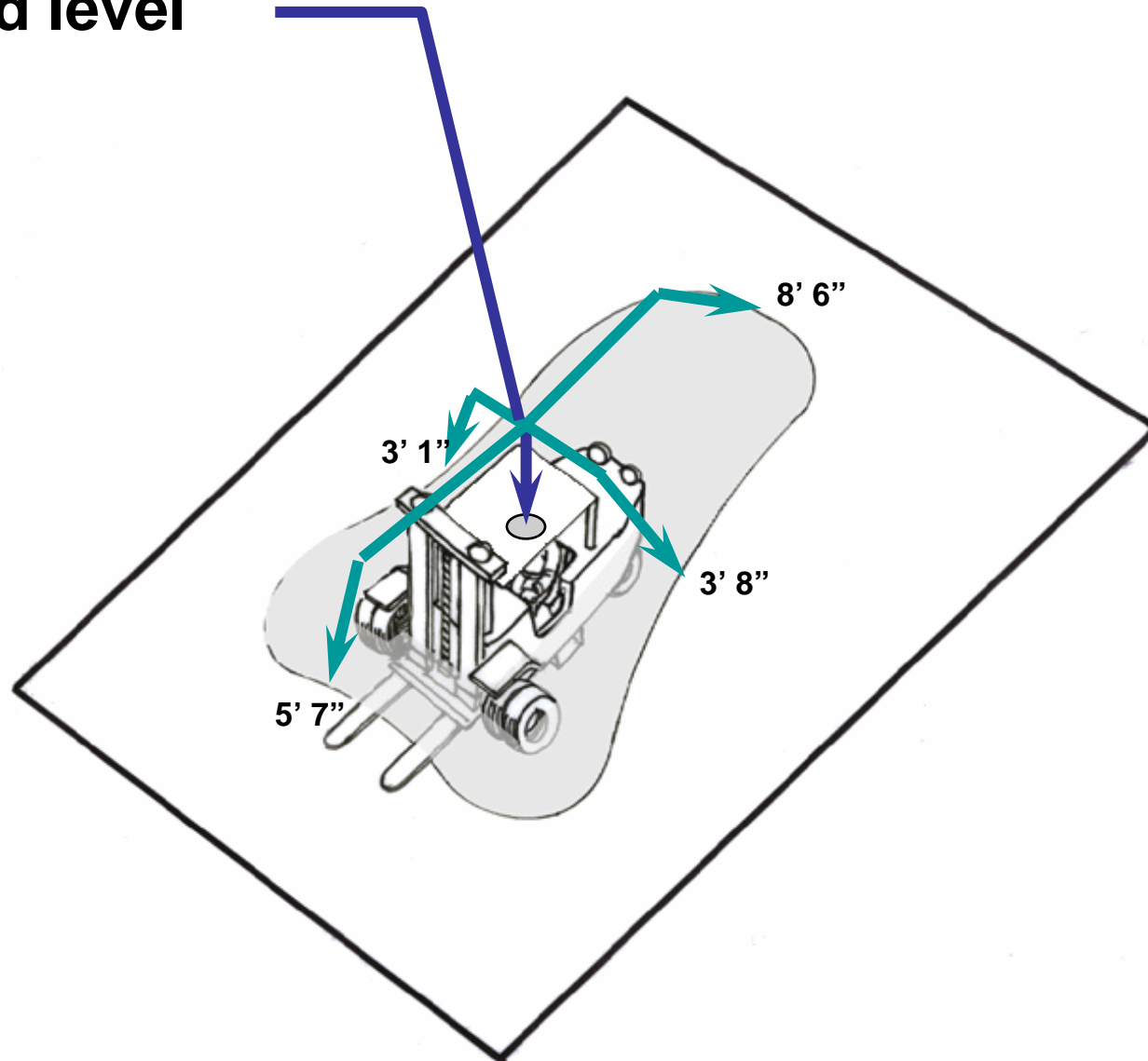
**Bobcat/Skid Steer**

**Eye level 7 ft - 3 in above  
ground level**



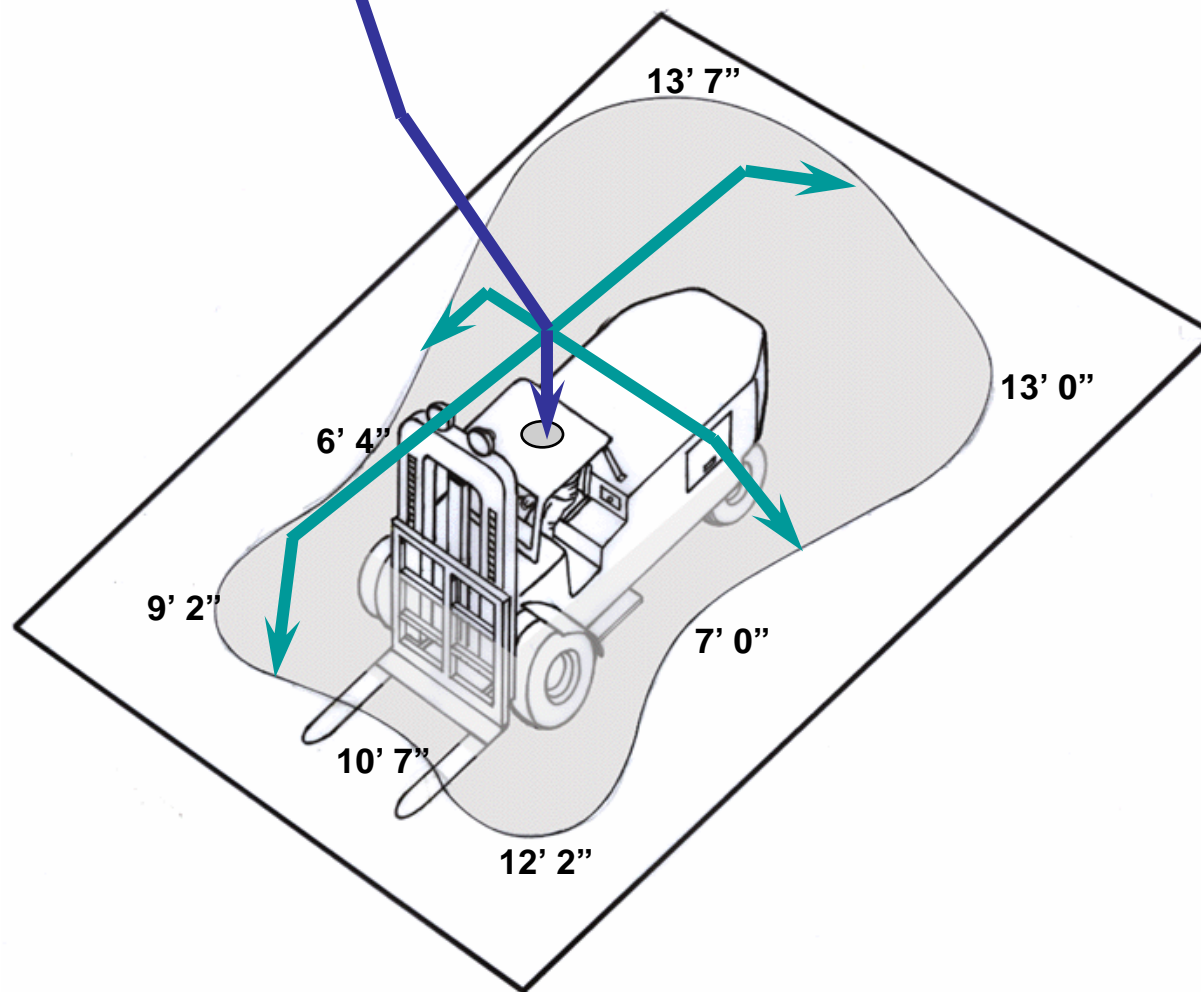
**High Reach  
RT Fork Lift**

**Eye level 6 ft above  
ground level**



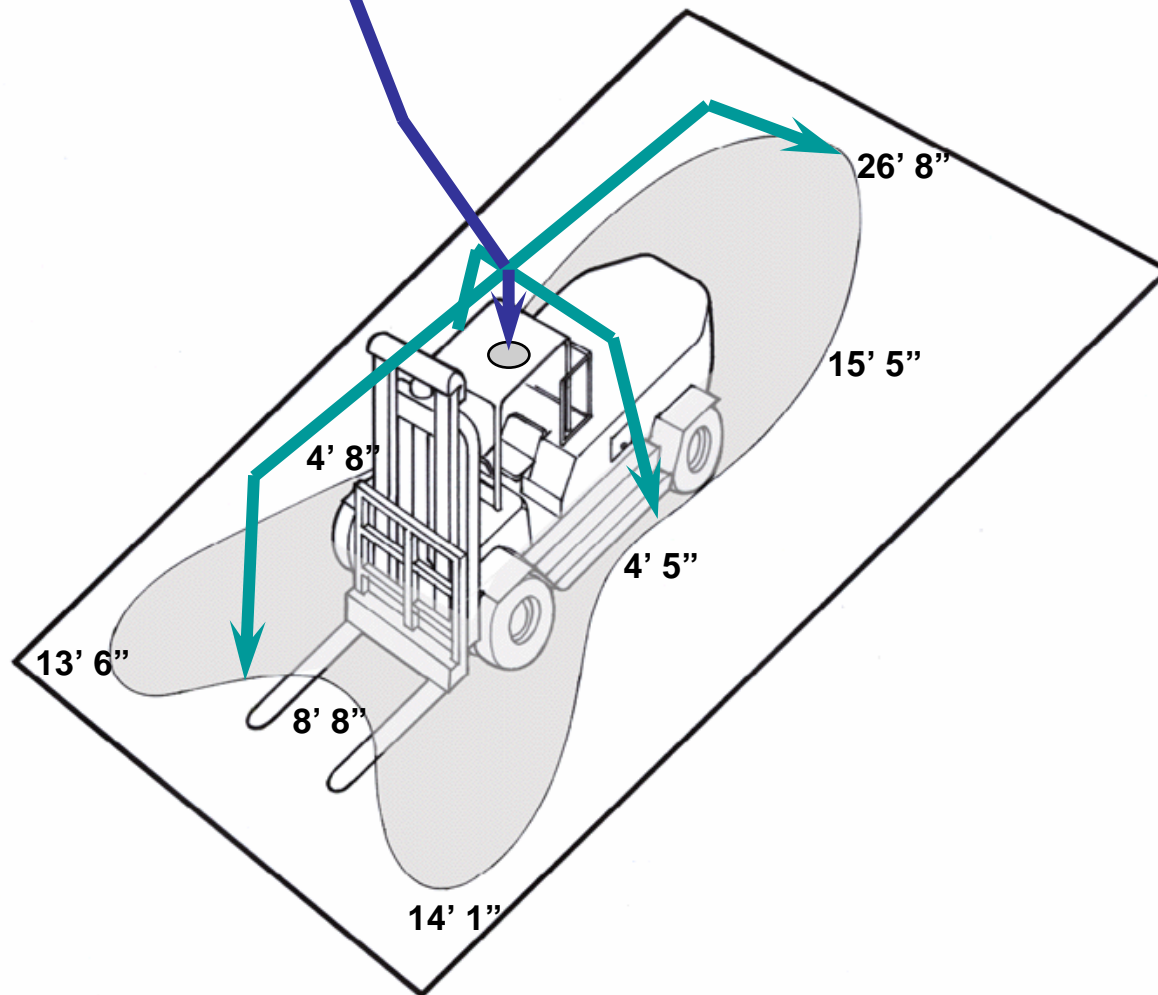
**3 Ton Forklift**

**Eye level 8 ft - 8 in above  
ground level**



**10 Ton Forklift**

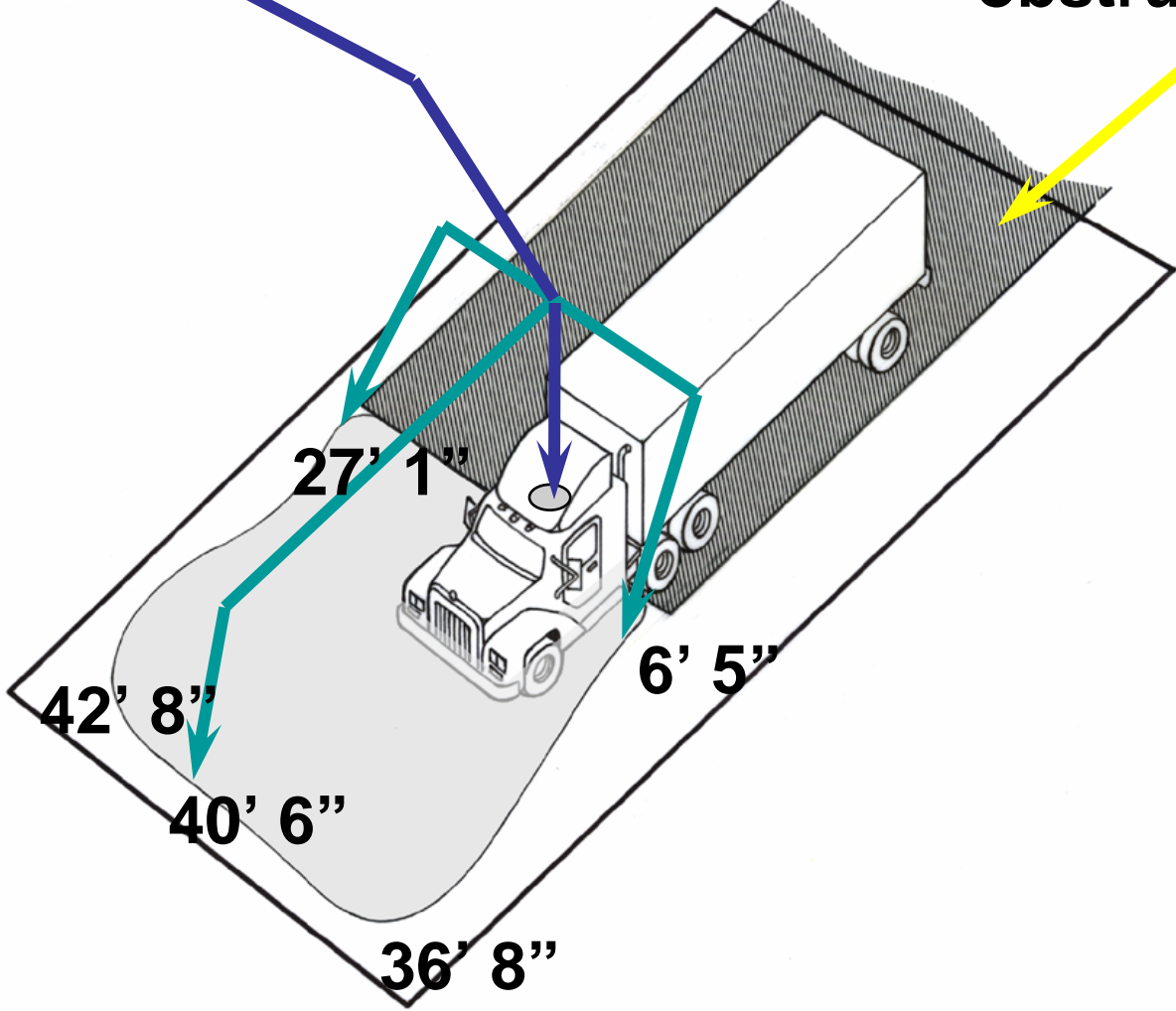
**Eye level 8 ft - 9 in above  
ground level**



**17 Ton Forklift**

Eye level 6 ft - 10 in above ground level

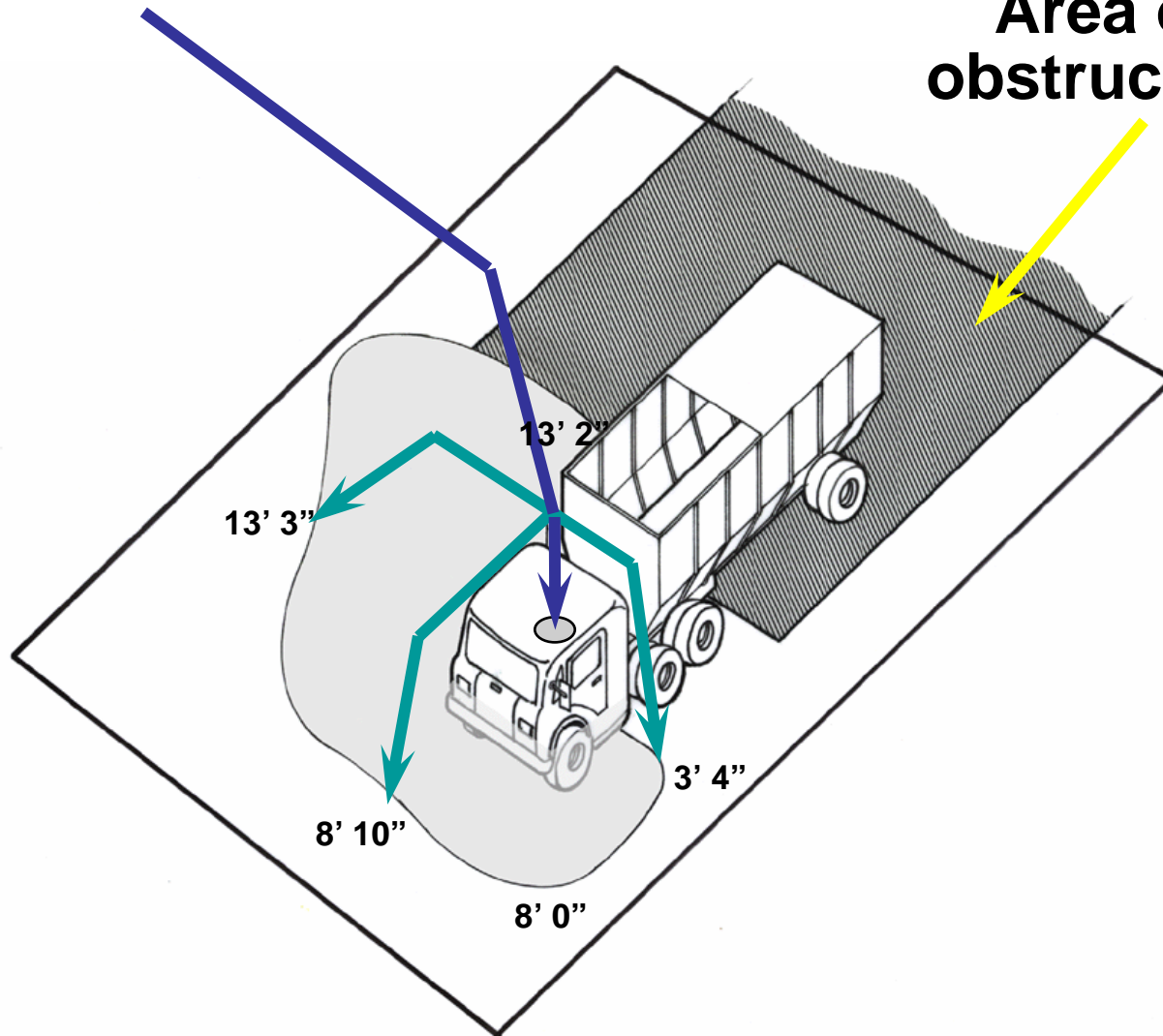
Area of fully obstructed view



# Semi-Truck & Trailer

**Eye level 8 ft - 0 in above  
ground level**

**Area of fully  
obstructed view**

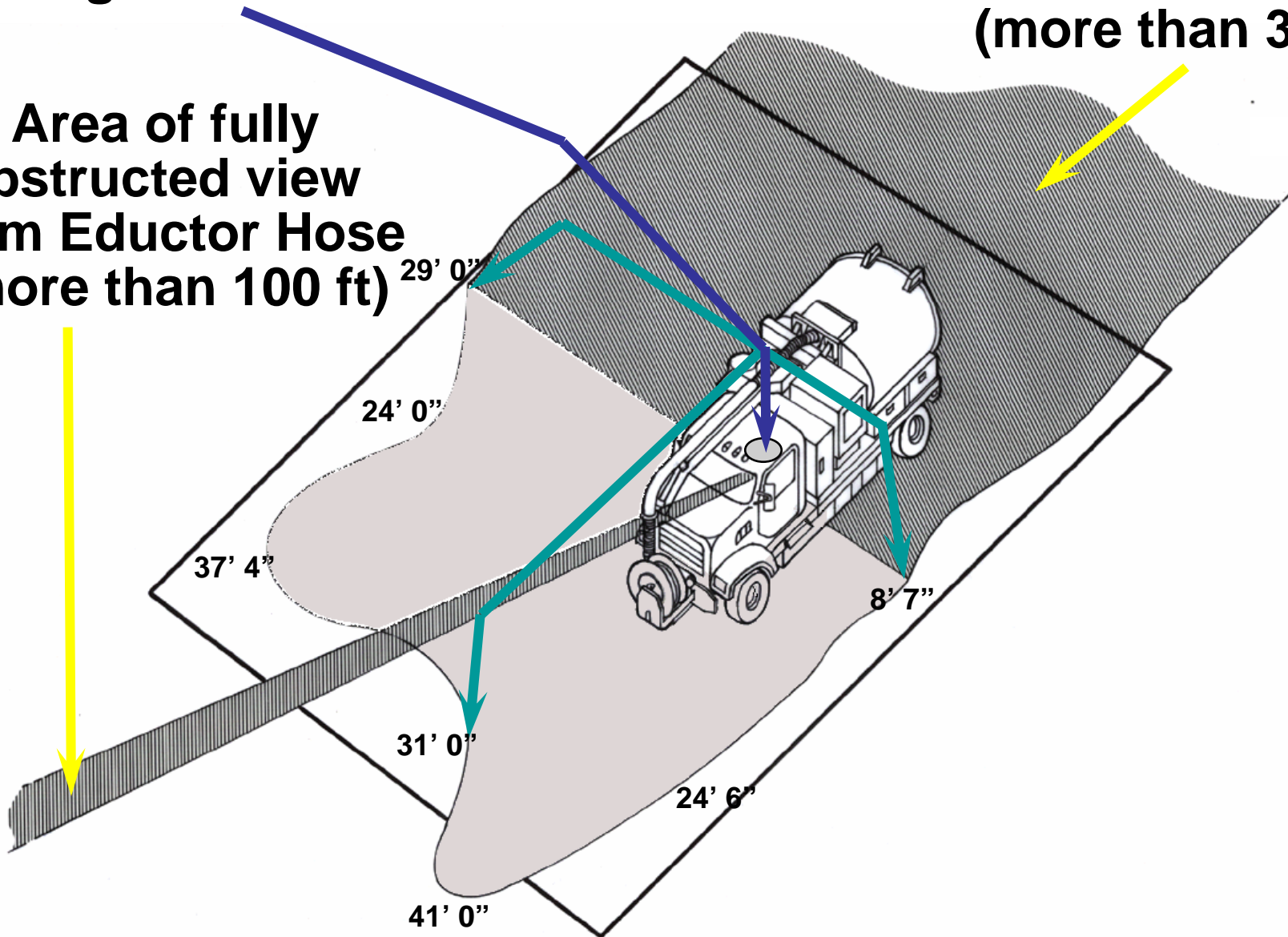


**Refuse Truck**

**Eye level 8 ft - 0 in above ground level**

**Area of fully obstructed view (more than 300 ft)**

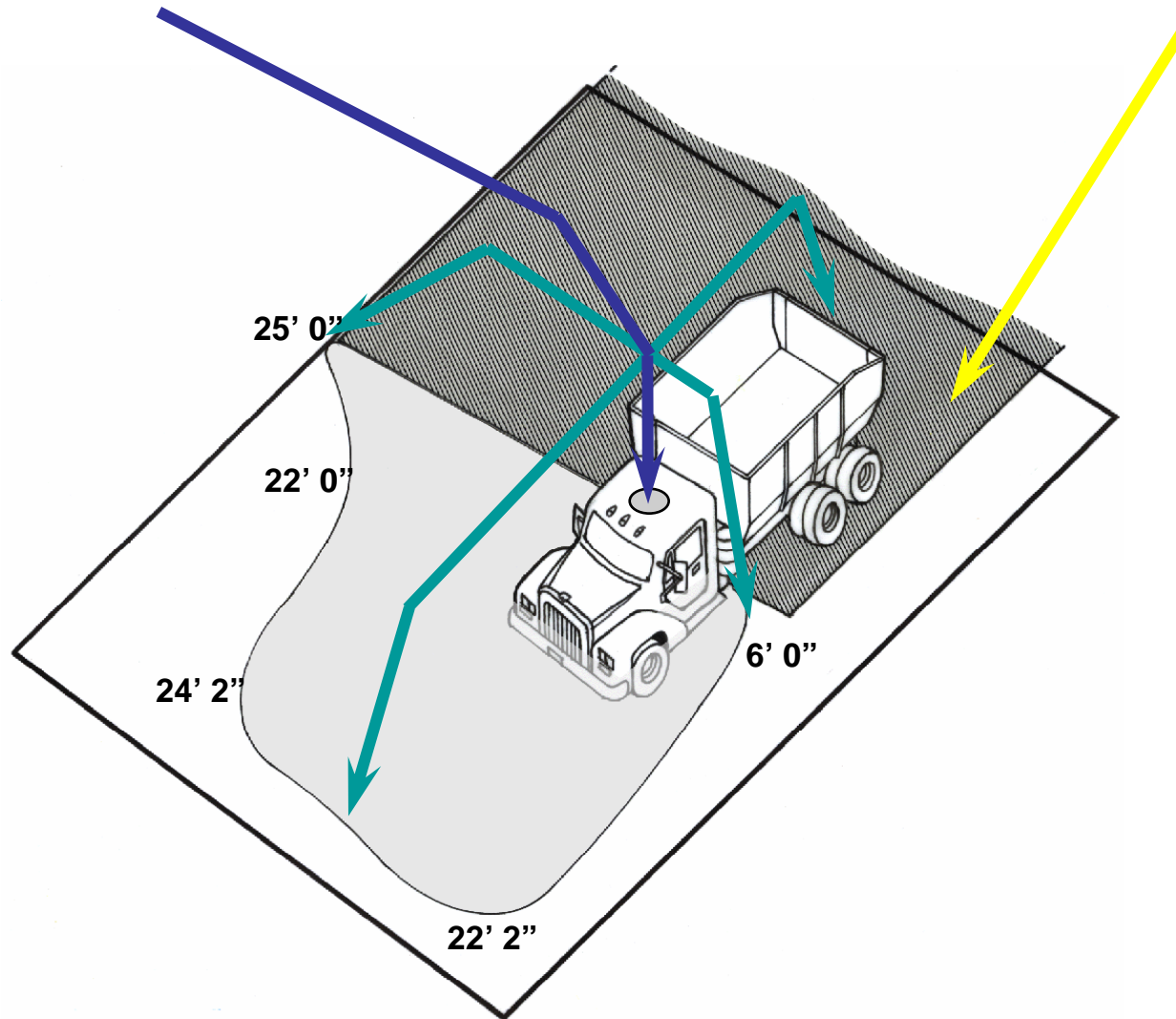
**Area of fully obstructed view from Eductor Hose (more than 100 ft)**



**HiVac Truck**

Eye level 7 ft - 1 in above  
ground level

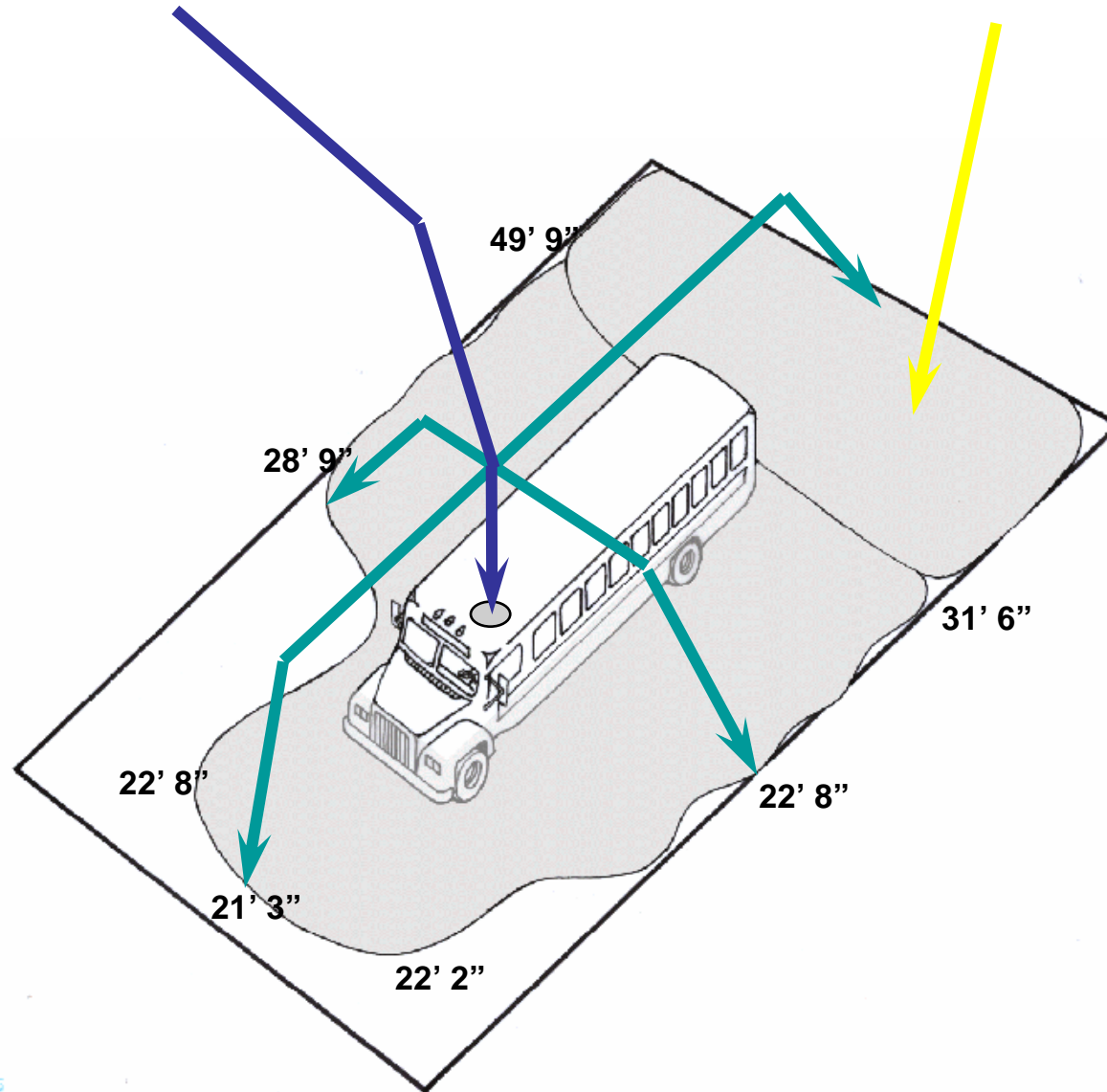
Area of fully  
obstructed view



**5 Ton Dump Truck**

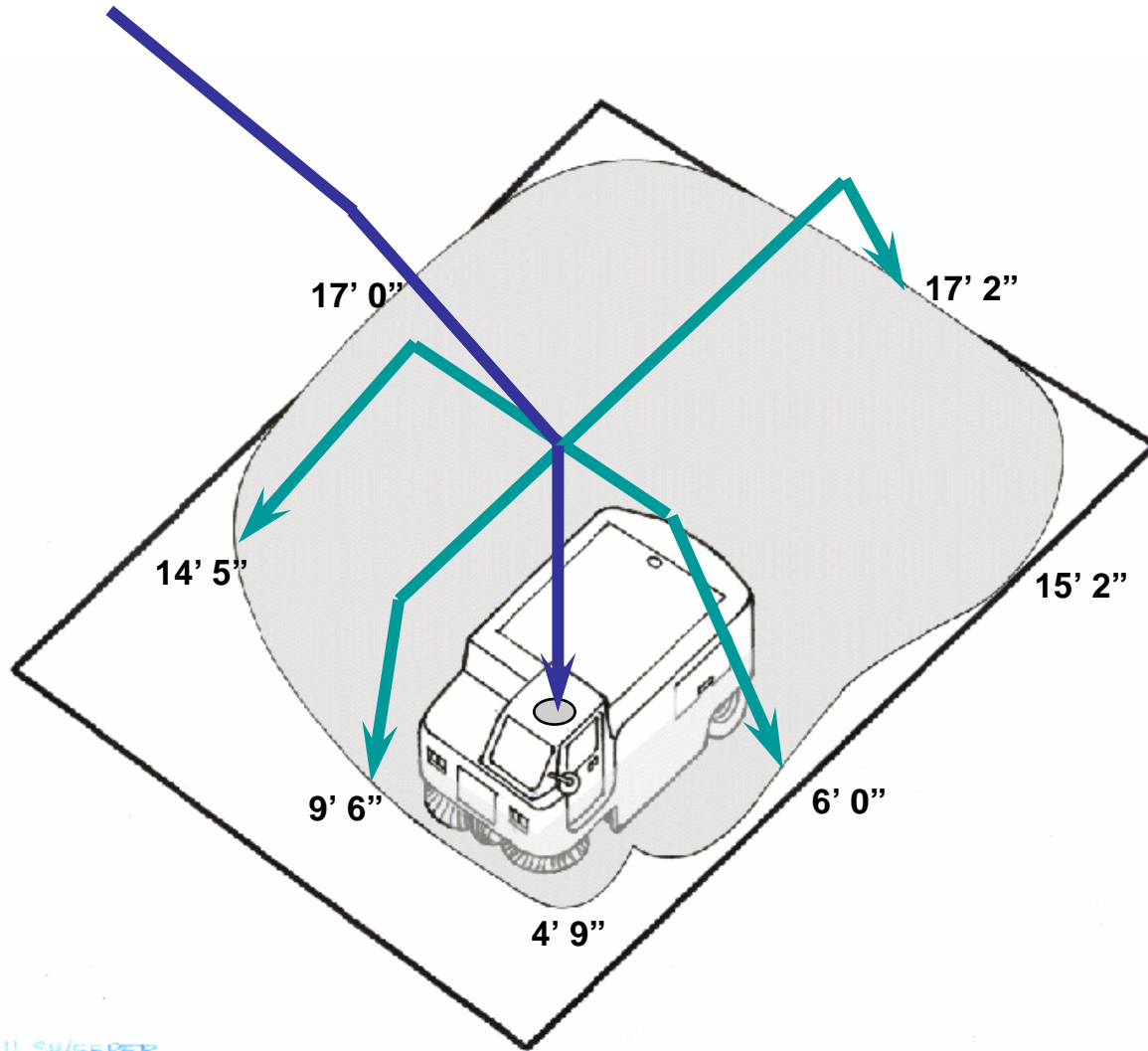
Eye level 7 ft - 0 in above ground level

This area is fully obstructed when the vehicle is full



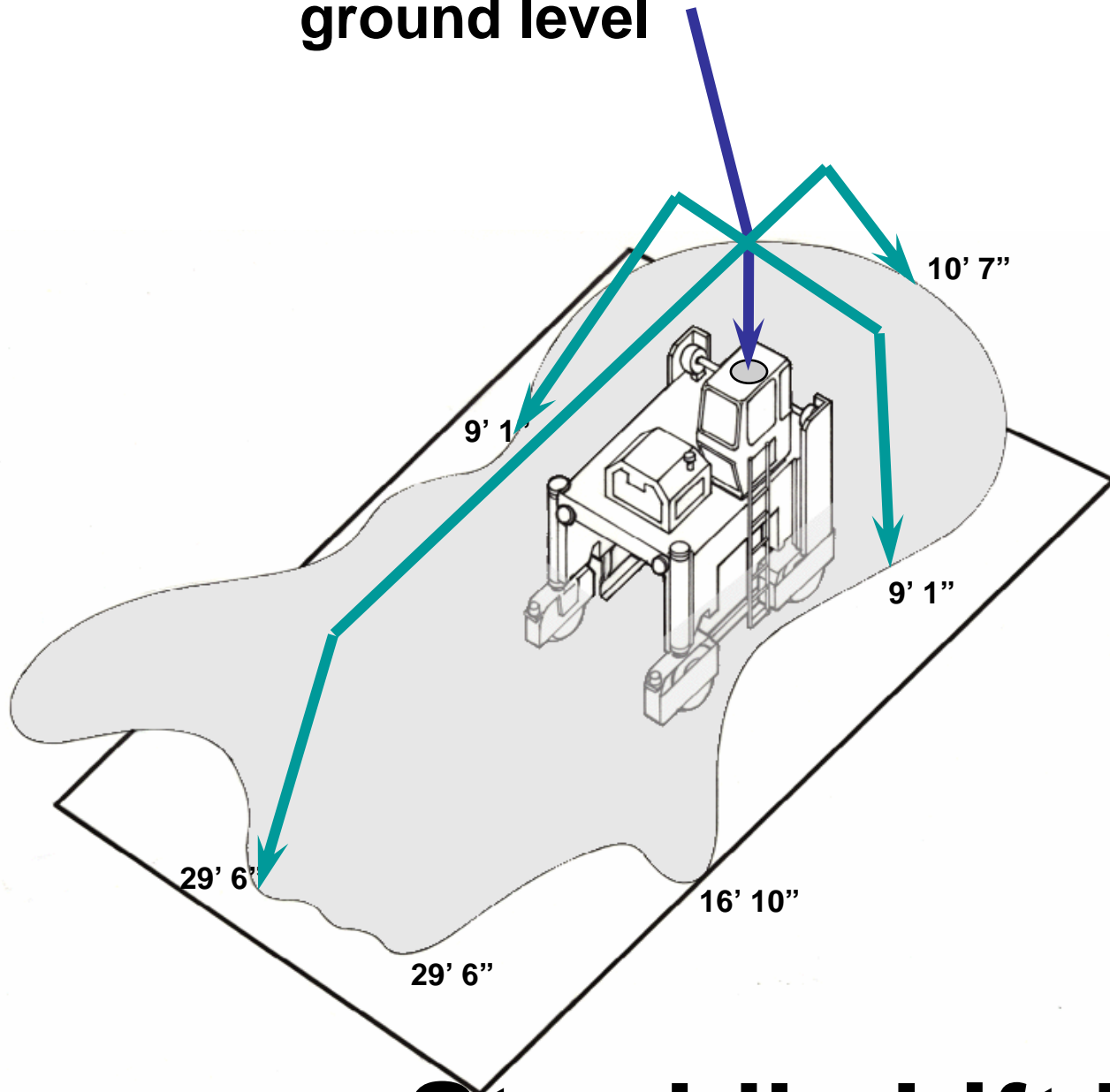
**School Bus**

**Eye level 5 ft - 11 in above  
ground level**



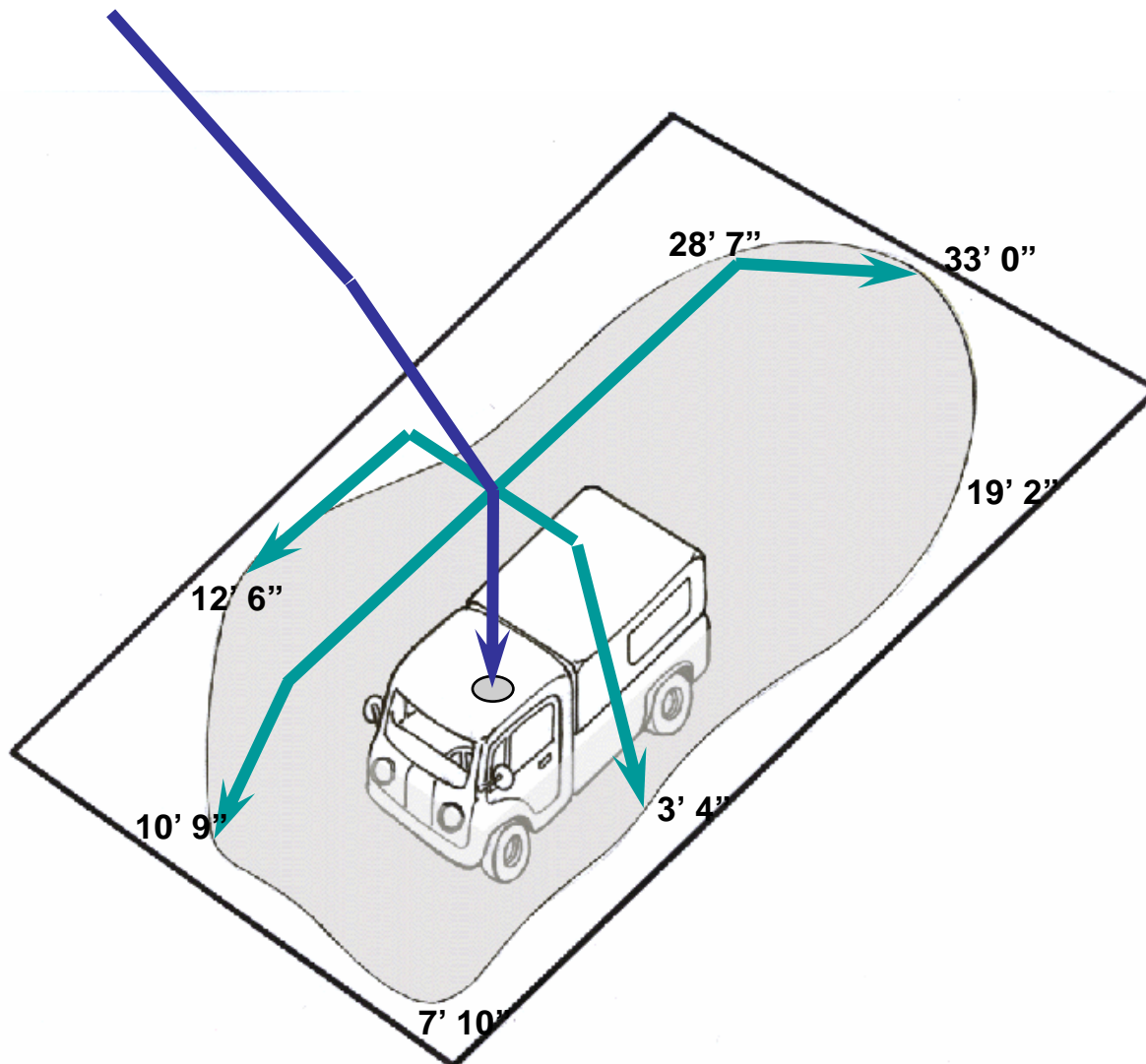
**Street Sweeper**

**Eye level 14 ft - 8 in above  
ground level**



**Straddle Lift Truck**

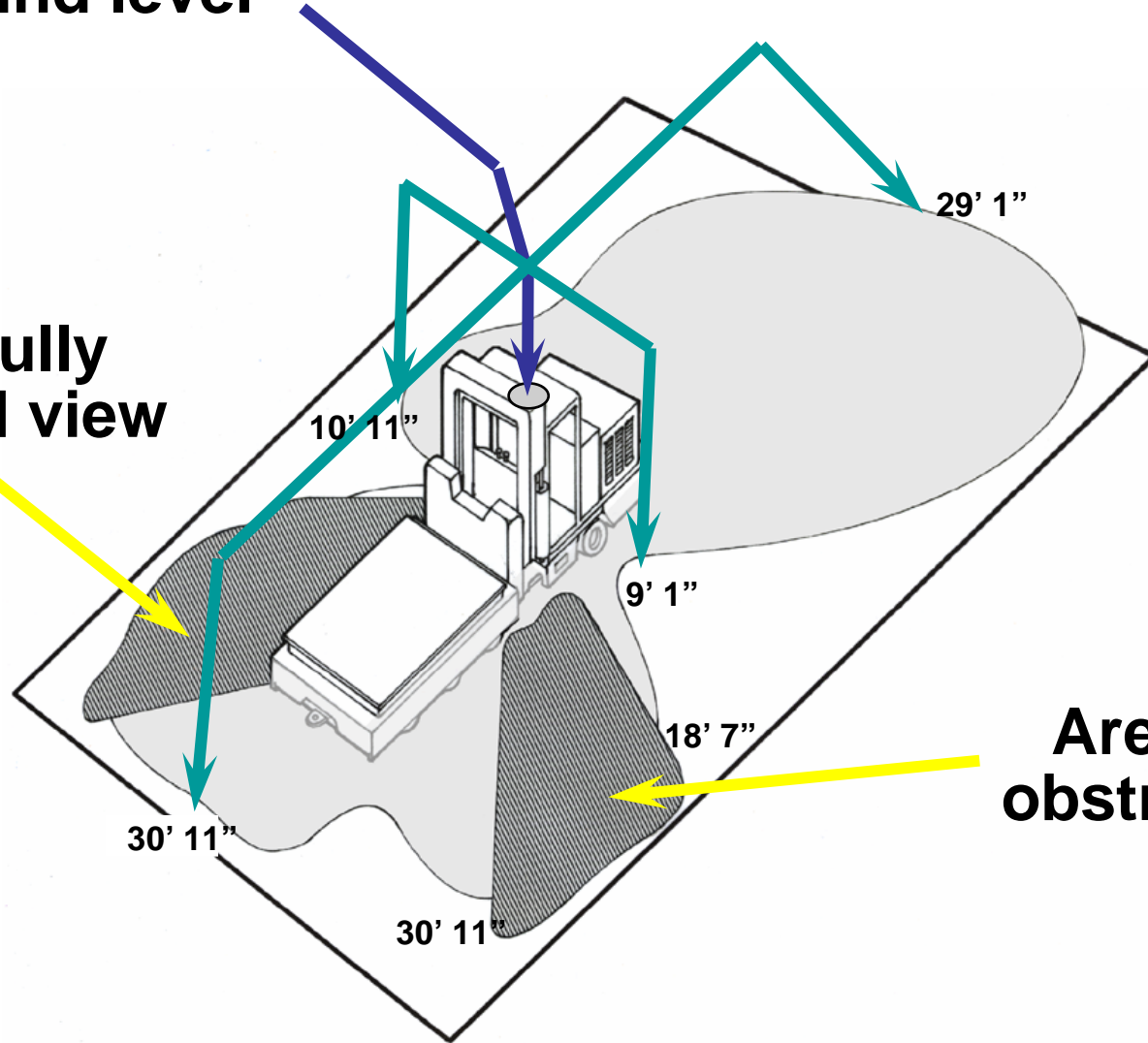
**Eye level 5 ft - 1 in above  
ground level**



**E-273 Cushman Scooter**

**Eye level 9 ft - 3 in above  
ground level**

**Area of fully  
obstructed view**



**Area of fully  
obstructed view**

**EL-PAR**